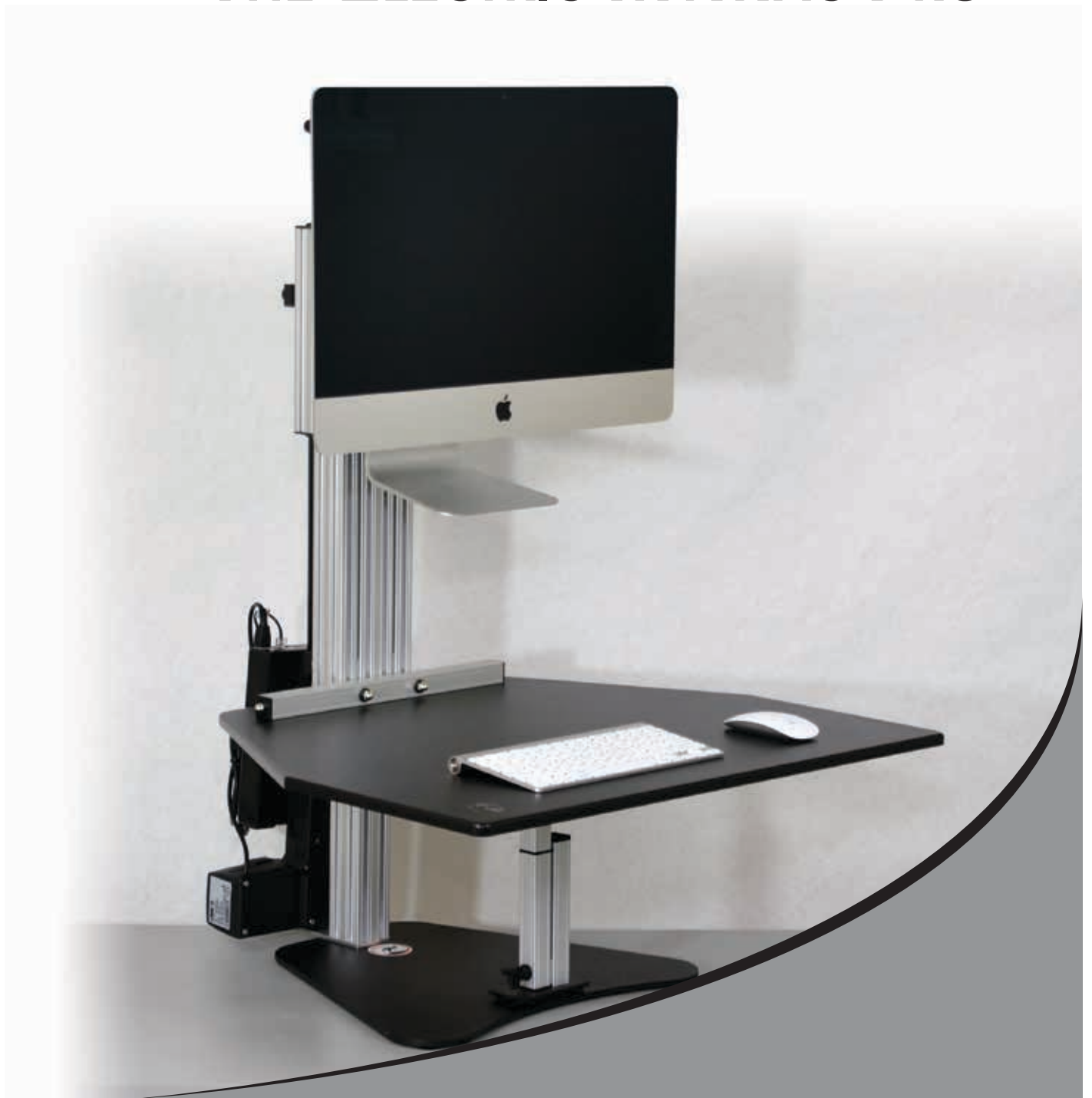


ERGO DESKTOP

HOME OF THE KANGAROO ADJUSTABLE HEIGHT DESK

THE ELECTRIC MyMAC PRO



WARNING: FAILURE TO COMPLY WITH OR OBSERVE ALL ASSEMBLY, SAFETY AND OPERATION INSTRUCTIONS AND WARNINGS REGARDING THE USE OF THIS PRODUCT MAY RESULT IN SERIOUS BODILY INJURY AND PROPERTY DAMAGE.

Prior to installment, use, and maintenance of the Ergo Desktop, any installer and any user of the Ergo Desktop must study this assembly and operation manual carefully, so as to gain a complete understanding of its contents. Assure that everyone who uses the Ergo Desktop is informed of the contents of this manual. This is the responsibility of the Purchaser.

Please read the operation manual prior to the start of using the Ergo Desktop. It provides you with important information about safety, use, installation, and maintenance of the Ergo Desktop, and thus protecting you, your children, and avoiding damage on the Ergo Desktop and surrounding personal property. Please guard this operation manual and pass it on to any future owner! Safe use of the Ergo Desktop is possible only when the operating instructions are read completely and the instructions contained are strictly observed. Assure that this manual is located near the Ergo Desktop, and if possible, permanently affixed to the desktop.

Failure to comply with these warnings and the operation manual may result in serious damage to the system, one of the system's components, serious bodily injury, and/or damage to property. Persons who do not have the necessary experience or knowledge of the Ergo Desktop must not use the product. Inappropriate use may cause damage to persons, property, and desktop.

CHILDREN SHOULD NOT USE THE ERGO DESKTOP!

Do not crawl, lie, or move around under the desktop frame. Do not sit, kneel, or stand on the desktop frame.

The electromotive, height-adjustable desktop and shelves are designed for workstations in dry work environments only. They have not been designed for other purposes than those included in this manual (i.e. they are not to be used in areas of high humidity or dampness, nor for lifting people). Any other use is at one's own risk! The desktop height is infinitely adjustable up to 20.5 inches (52.07 cm), so that it can be set to the most ergonomically suitable working level.

Liability: The manufacturer accepts under no circumstances warranty claims or liability claims for damages arising from improper use or handling of the desktop other than that described herein. The Ergo Desktop should be connected to a 120 VAC outlet. Place the Ergo Desktop in a safe distance from window frames, radiators, furniture etc., so that people do not get stuck. The stabilization legs should be used when the Ergo Desktop work surface is not in the lowest position. Do not place any objects or body parts underneath the desktop table, monitor shelves, rails, main horizontal work surface, and base of the Ergo Desktop (except for the stabilization legs). Make sure no body parts, objects, or furnishings (i.e. cabinets, light fixtures, bookcases, desk credenzas, desk hutches, etc.) are located above the Ergo Desktop (which includes any laptops and/or monitors attached to the desktop). When using the Ergo Desktop, make sure no fingers, hands, or other body parts are placed near the lifting tower or between any of the shelves or work surfaces.

Adults with reduced physical or mental abilities must not use the Ergo Desktop, unless they have been thoroughly instructed in the use of the apparatus and supervised by a person who is responsible for the safety of these adults. Ergo Desktop is intended for use on level desks. If you determine that your desk is unlevel, you may wish to improve the firmness of your desk prior to installing the Ergo Desktop. The base of the Ergo Desktop should be placed on a level surface measuring no less than 18" x 18" (60.96 cm x 60.96 cm). Only a keyboard and computer mouse should be placed on the Ergo Desktop work surface. Do not put pressure on the edge of the work surface without the stabilization leg in place.

Extra Warnings: Do not use the Ergo Desktop if it has a damaged cord or plug. Do not pull or carry the Ergo Desktop by the cord, use cord as a handle, close a door on the cord, or pull cord around sharp edges or corners. Keep cord away from heated surfaces. Do not unplug by pulling on cord. To unplug, grasp the plug; not the cord. Do not handle the Ergo Desktop with wet hands. Keep all liquids away from the Ergo Desktop. Do not put any object or body part into openings. Keep hair, loose clothing, fingers and all body parts way from openings and moving parts.

STAY ALERT. Do not use the Ergo Desktop when you are tired, distracted or under the influence of drugs, alcohol or medication causing diminished control.

Before Installation, Re-installation, or Troubleshooting:

Stop the Ergo Desktop. Switch off the power supply and pull out the main power supply plug. Relieve the Ergo Desktop of any loads. If there is visible damage on the product, it must not be installed.

Before Start-up:

Make sure Ergo Desktop has been installed as specified in this manual. System Connection - the individual parts must be connected before the control box is connected to the main power supply. If the control box makes unusual noises or has an odor, switch off the main power supply and contact us immediately. Make sure the cables are not damaged. Make sure that no cables or cords can get jammed or stripped when raising or lowering the Ergo Desktop. Make sure all cables and wires are not entangled with the Ergo Desktop and have enough length when the desktop is raised to the desired height. Be sure to measure the monitor stand and/or laptop before placing it on the monitor shelf, to insure that the monitor shelf is large enough to hold the monitor stand and/or laptop. When the Ergo Desktop has been assembled (see assembly instructions in the attached manual) the feet should be installed so that the desktop is level and does not shift.

Maintenance:

Stop the Ergo Desktop. Switch off the power supply and pull out the main power supply plug. Clean dust and dirt on the outside of Ergo Desk and other components at regular intervals. Inspect the connections, cables, and plugs and check for correct functioning as well as the security of the connection points. The cleaners and disinfectants must not be highly alkaline or acidic.

1 YEAR LIMITED WARRANTY

This warranty covers any defects in materials and workmanship of the enclosed product. Ergo Desktop LLC will repair or replace any defective materials due to craftsmanship of the product. This warranty does not cover any problem or injury caused by misuse, abuse, accidents, or acts of God, such as floods or hurricanes. Also consequential and incidental damages are not covered under this warranty. Coverage terminates if you sell or otherwise transfer ownership of the product. If you feel you have a defective product, please call 1-866-232-7988 or email info@ergodesktop.com for instructions prior to returning this item. A Return Authorization Number is required before sending back. Please ship all returns to:

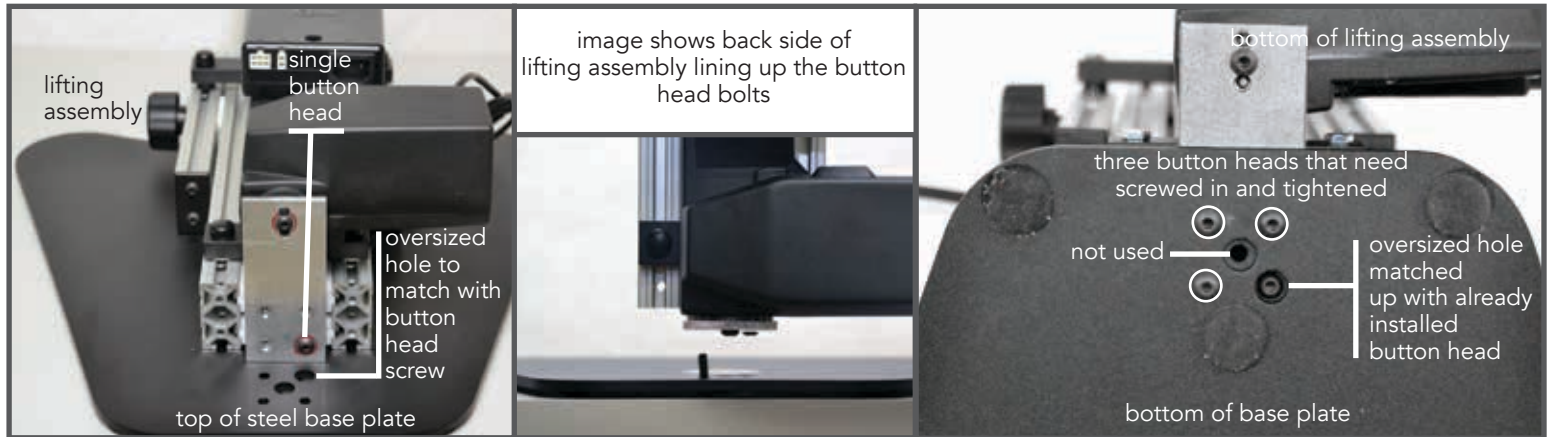
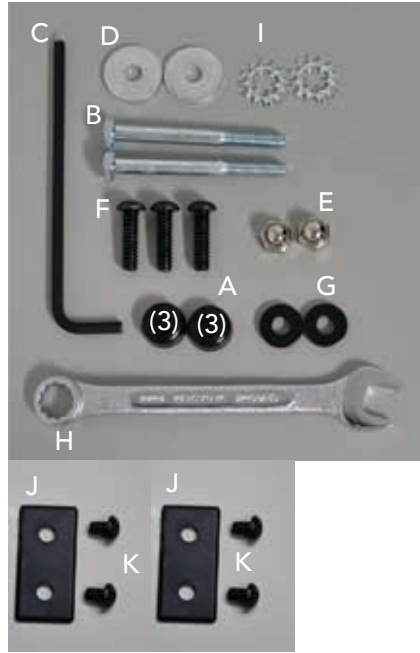
Ergo Desktop LLC
457 Grand Lake Road
Celina, OH 45822

We will inspect the product and contact you within a timely manner to give you the results of our inspection. We reserve the right to repair or replace the product at our discretion. However, we may replace the product with the same or greater features. This limited warranty gives you specific legal rights, and you may also have other rights which vary from state to state.

THE ELECTRIC MYMAC PRO - Assembly Instructions

Assembly Parts list

- A. (6) Black Screw Covers
- B. (2) 1/4-20 x 3.50 Hex Head Bolts
- C. (1) 5/32 Allen Wrench
- D. (2) Fender Washers
- E. (2) Acorn Nuts
- F. (3) 1/4-20 x 7/8 BHCS **(THESE 3 ARE ALREADY THREADED IN THE LIFT ASSEMBLY)**
- G. (2) Thick Black Washers
- H. (1) 7/16 Wrench
- I. (2) Locking Star Washers
- J. (2) 1 x 2 plastic cap
- K. (4) 1/4-20 x 3/8 BHCS



Step 1, 2

Step 3

Step 4

Steps 1-4 attaching the steel base plate to the lifting assembly

Step 1: Lay the lifting assembly on a solid surface with the back side up as shown. Notice the single Button Head Bolt in the assembly union plate. **DO NOT LOOSEN THE SINGLE BUTTON HEAD BOLT THAT IS NOTATED. LOOSEN THE 3 OTHER BOLTS TO ADD THE LIFTING ASSEMBLY TO THE BASE PLATE.**

Step 2: Notice the (2) oversized holes in the Base Plate. The Single Button Head Bolt will go into the oversized hole on the top right, while the other 3 holes should line up with the base. The center oversized hole is not used with this unit.

Step 3: With the Base Plate over hanging the table about 2 inches, hold the Lifting Assembly above the Base Plate and align the Single Button Bolt into the oversized hole. Place one 1/4-20 x 7/8 BHCS{F} through the base plate to screw in the lifting assembly.

Step 4: Insert and thread the other (2) 1/4-20 x 7/8 BHCS{F} through the Base Plate and into the Lifting Assembly. Once all (3) bolts are threaded in, tighten securely with the 5/32 allen wrench{C}. Lifting Assembly should be flat against the Base and all three bolts should look like the picture above.

THE ELECTRIC MYMAC PRO - Assembly Instructions

Step 5: Connecting the power for the lifting assembly. Go to the back side of the lifting assembly and turn the power box to the left. Push the plug securely into the power box.



Raise the lifting assembly to attach the work surface

Once you have connected your cables, plug the unit into an outlet and press the up arrow on the work surface to raise the unit 3/4 all the way up like the picture to the right



Note: If your work surface does not move. First check your connections, then hold the down arrow on the controller for 6 seconds while plugged in to be reinitialized.

Step 6: Connecting the controller from the work surface and cable to the actuator. Connect the cable from the work surface that holds the controller into port "A1". Connect the cable from the actuator into the right port labeled "1" as shown above.

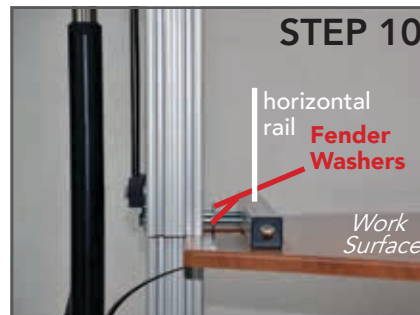
We suggest keeping the lifting assembly raised up, to step 11. Once step 11 is completed the unit can be lowered to the complete sitting position.



Step 7: Put (1) Locking Star Washer{I} on each of the 1/4 -20 x 3.50 Hex Head Bolts{B}.

Step 8: Insert the (2) 1/4-20 x 3.50 Hex Head Bolts{B} through the holes in the Vertical Rail.

Step 9: Put (1) Fender Washer{D} on each of the 1/4-20 x 3.50 Hex Head Bolts{B} on the other side of the Vertical Rail.



Step 10: Lift the Work Surface up and align the holes in the Horizontal Rail with the (2) 1/4-20 x 3.50 Hex Head Bolts{B}. Push the Work Surface onto the Hex Head Bolts until the threads of the bolts come through the Horizontal Rail.

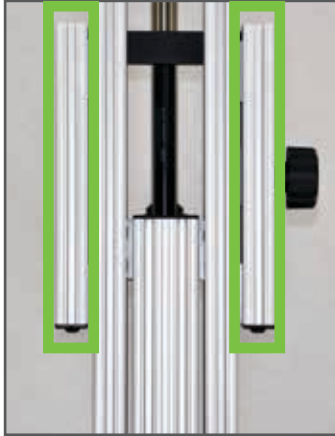


Step 11: Put (1) Black Washer{G} and (1) Acorn Nut{E} on the end of each of the Hex Head Bolts. Using the 7/16 wrench{H} tighten the Acorn Nuts securely.

THE ELECTRIC MYMAC PRO - Assembly Instructions

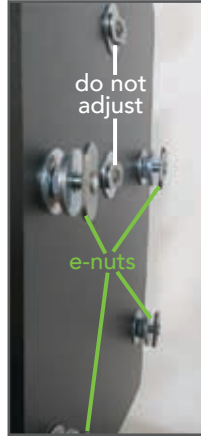
Steps 12-16 Attaching the monitor backer board

STEP 12



Step 12: Identify the monitor vertical rails you will be using to slide on the backer board. You will notice that the top of those rails are exposed.

STEP 13



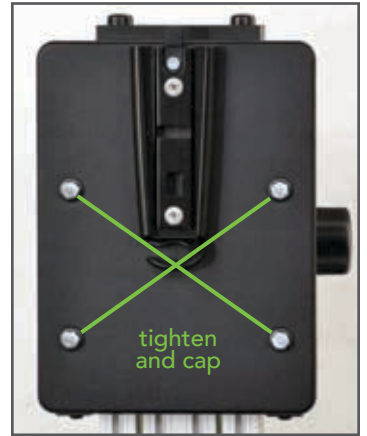
Step 13: Prep the backer board by loosening the 4 e-nuts shown in the image above.

STEP 14



Step 14: Utilizing the monitor vertical rails from step 12, slide the backer board into the rails with the e-nuts on the back side.

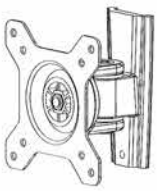

STEP 15

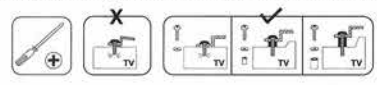



Step 15: After the backer board is positioned, hand tighten each of the hex head bolts notated above with the provided 7/16 wrench{H}. After the bolts are tight, press on the round plastic caps{A} to conceal the bolts.

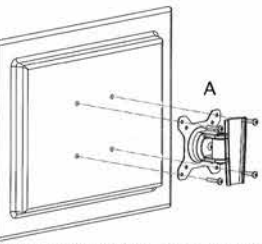
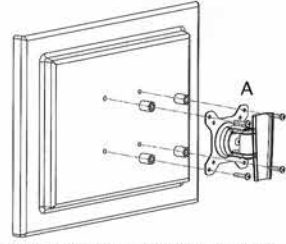
Step 16: Add the 1x2" rectangular plastic caps {J} to the tops of the exposed rail from step 12. Use 2 3/8" button head screws{K} to attach the caps to the vertical monitor rails. Tighten with the provided 5/32 allen wrench{C}.

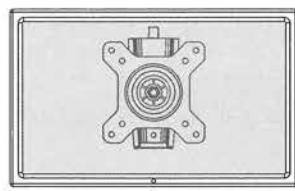
Follow the instructions below to mount your monitor. Depending on the mac product you have will also depend what apple mounting adaptor solution you will require. Step 1 below you will be screwing the mount to the apple adaptor.


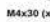
A  **B**  **ALREADY ATTACHED TO YOUR UNIT**

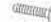

1.  Try using the shortest screw to mount your monitor to prevent screwing into the internal components of the monitor.


Option  C-D



2.  **OR** 


3. 


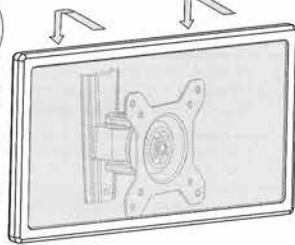
C  M4x12 (x4)  M4x30 (x4)

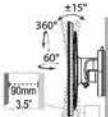
D  M6x12 (x4)  M6x30 (x4)

E  16X8X20 (x4)

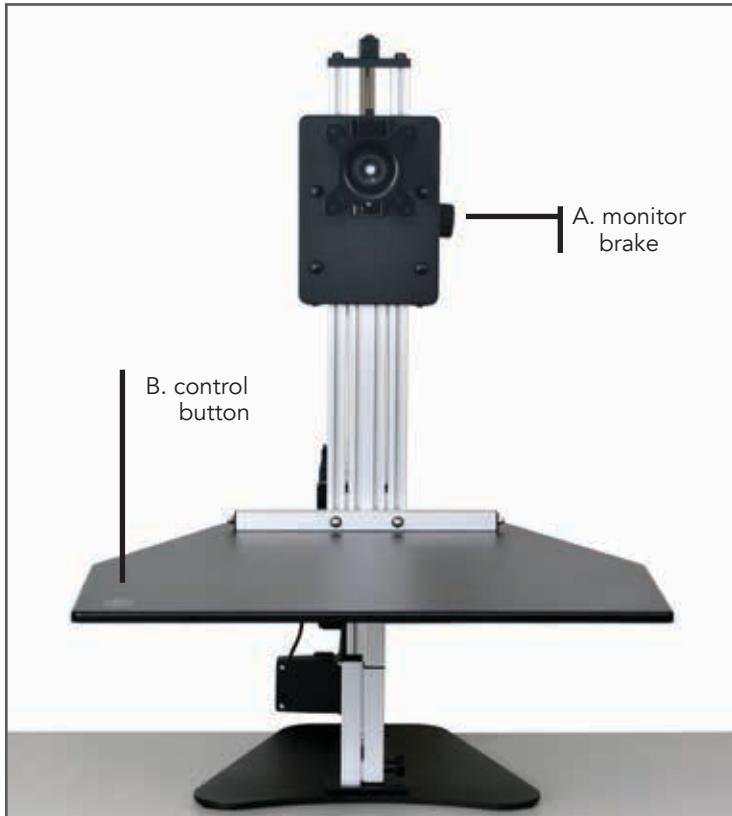
F **NOT REQUIRED**
 M6x31 (x2)  Ø6x40 (x2)

G  S=3mm (x1)

Lock screw  **B**  Once slid into place use the provided allen wrench to tighten the silver set screw to lock the bracket in place.

 ±15°
360°
60°
90mm
3.5"

THE ELECTRIC MYMAC PRO - IN USE INSTRUCTIONS



The Electric MyMac Kangaroo Pro is designed to hold (1) monitor on a VESA 75 x 75 or 100 x 100mm compatible bracket and your keyboard and mouse on the main work surface. **The Electric MyMac Kangaroo Pro has a spring that assists in raising your monitor and works best when your monitor is in place. This reduces the amount of pressure needed to raise and lower the monitor.**

The main work surface is powered by an electric motor and can lift up to 150lbs. When raising and lowering the unit, please be aware of your surroundings and cable lengths. When lowering be sure to remove the leg and make sure no objects are obstructing the down travel.

Raise and lower the monitor by loosening the monitor brake(A) and either lift up or push down on the monitor and/or backer board. Once the monitors reach your desired level, tighten the monitor brake.

Raise and lower the main work surface by pressing the up or down arrow on the control button(B).



THE STABILIZATION LEG

Your adjustable height desk top unit comes with an adjustable leg that can be used to give you maximum stability when you are using "The Kangaroo" in the standing position.

Raise the Kangaroo work surface to your desired standing height and tighten the work surface brake.

Place the adjustable leg under the work surface and loosen the adjustable leg brake. Only loosen the brake by a turn or two, too much and the brake will disengage from the slot.

Extend the adjustable leg until it engages the bottom of the work surface and then tighten the adjustable leg brake.

The leg is shipped with the extension section installed to give you additional height adjustment. If this is too tall for your application, simply unscrew the extension selection.

If you have the taller version of the leg there is no top extension selection.

A. Extension selection

B. Extension selection screws into this location

ALWAYS REMOVE THE STABILIZATION LEG BEFORE LOWERING THE UNIT